

REMOTE CONTROL RELIEF VALVES	Graphic Symbol	Q max. l/min (USgpm)	P max. bar(Psi)	Max. Port diam. (in)	Ref. Page
2040 ^A 2070 ^A		5 (0.5)	200/2800	1/2"	
DIRECT TYPE RELIEF VALVES	Graphic Symbol	Q max. l/min (USgpm)	P max. bar(Psi)	Max. Port diam. (in)	Ref. Page
2040 ^A 2070 ^A		5/6 (2)	200/2800	1/2"	
REMOTE CONTROL RELIEF VALVES	Graphic Symbol	Q max. l/min (USgpm)	P max. bar(Psi)	Max. Port diam. (in)	Ref. Page
2040 ^A 2070 ^A		1.3 (3)	200/2800	1/2"	
PILOT OPERATED RELIEF VALVES	Graphic Symbol	Q max. l/min (USgpm)	P max. bar(Psi)	Max. Port diam. (in)	Ref. Page
2040 ^A 2070 ^A 2040 ^B 2070 ^B		100(3.42)	250/3600	1/2" 3/4" 1-1/4" 1-1/4"	
2040 ^C 2070 ^C 2040 ^D 2070 ^D		100(3.42)	250/3600	1/2" 3/4" 1-1/4" 1-1/4"	
LOW NOISE TYPE PILOT OPERATED RELIEF VALVES	Graphic Symbol	Q max. l/min (USgpm)	P max. bar(Psi)	Max. Port diam. (in)	Ref. Page
2040 ^E 2070 ^E 2040 ^F 2070 ^F		100(3.42)	250/3600	1/2" 3/4" 1-1/4" 1-1/4"	

SOLENOID CONTROLLED RELIEF VALVES	Graphic Symbol	Q max. l/min (USgpm)	P max. bar(Psi)	Max. Port diam. (in)	Ref. Page
2040 ^G 2070 ^G 2040 ^H 2070 ^H 2040 ^I 2070 ^I		100(3.42)	250/3600	1/2" 3/4" 1-1/4" 1-1/4" 1-1/4" 1-1/4"	
LOW NOISE TYPE SOLENOID CONTROLLED RELIEF VALVES	Graphic Symbol	Q max. l/min (USgpm)	P max. bar(Psi)	Max. Port diam. (in)	Ref. Page
2040 ^J 2070 ^J 2040 ^K 2070 ^K		100(3.42)	250/3600	1/2" 3/4" 1-1/4" 1-1/4"	
2PV TYPE SOLENOID CONTROLLED RELIEF VALVES	Graphic Symbol	Q max. l/min (USgpm)	P max. bar(Psi)	Max. Port diam. (in)	Ref. Page
2040 ^L 2070 ^L 2040 ^M 2070 ^M		100(3.42)	250/3600	1/2" 3/4" 1-1/4" 1-1/4"	
3PV TYPE SOLENOID CONTROLLED RELIEF VALVES	Graphic Symbol	Q max. l/min (USgpm)	P max. bar(Psi)	Max. Port diam. (in)	Ref. Page
2040 ^N 2070 ^N 2040 ^O 2070 ^O		100(3.42)	250/3600	1/2" 3/4" 1-1/4" 1-1/4"	
UNLOADING RELIEF VALVES	Graphic Symbol	Q max. l/min (USgpm)	P max. bar(Psi)	Max. Port diam. (in)	Ref. Page
2040 ^P 2070 ^P		120(3.42)	210/3000	1/2" 1-1/4"	

RESTRICTORS	Graphic Symbol	Q max. l/min (USgpm)	P max. bar(Psi)	Max. Port diam. (in)	Ref. Page
2040 ^Q 2070 ^Q 2040 ^R 2070 ^R 2040 ^S 2070 ^S		100(3.42)	250/3600	1/2" 3/4" 1-1/4" 1-1/4" 1-1/4" 1-1/4"	
ONE WAY RESTRICTORS	Graphic Symbol	Q max. l/min (USgpm)	P max. bar(Psi)	Max. Port diam. (in)	Ref. Page
2040 ^T 2070 ^T 2040 ^U 2070 ^U		100(3.42)	250/3600	1/2" 3/4" 1-1/4" 1-1/4"	
DECELERATION VALVES	Graphic Symbol	Q max. l/min (USgpm)	P max. bar(Psi)	Max. Port diam. (in)	Ref. Page
CLD-01 ^A CLD-01 ^B CLD-01 ^C CLD-01 ^D CLD-01 ^E		100(3.42)	140(2000)	1/2" 3/4" 1-1/4" 1-1/4" 1-1/4"	

H TYPE PRESSURE CONTROL VALVES	Graphic Symbol	Q max. l/min (USGPM)	P max. bar(Psi)	Port Size (PT/IN/ET/BSPP)	Ref. Page
HG-03 ^A HG-06 ^A HG-10 ^A HT-03 ^A HT-06 ^A HT-10 ^A		50(13.2)	250(36.0)	3/8" 3/4" 1-1/4" 3/8" 3/4" 1-1/4"	
HC TYPE PRESSURE CONTROL VALVES	Graphic Symbol	Q max. l/min (U.S.GPM)	P max. bar(Psi)	Port Size (PT/IN/ET/BSPP)	Ref. Page
HCG-03 ^A HCG-06 ^A HCG-10 ^A HCT-03 ^A HCT-06 ^A HCT-10 ^A		50(13.2)	210(3000)	3/8" 3/4" 1-1/4" 3/8" 3/4" 1-1/4"	
PRESSURE REDUCING VALVES	Graphic Symbol	Q max. l/min (U.S.GPM)	P max. bar(Psi)	Port Size (PT/IN/ET/BSPP)	Ref. Page
RG-03 ^A RG-06 ^A RG-10 ^A RT-03 ^A RT-06 ^A RT-10 ^A		50(13.2)	210(3000)	3/8" 3/4" 1-1/4" 3/8" 3/4" 1-1/4"	
PRESSURE REDUCING AND CHECK VALVES	Graphic Symbol	Q max. l/min (U.S.GPM)	P max. bar(Psi)	Port Size (PT/IN/ET/BSPP)	Ref. Page
RCG-03 ^A RCG-06 ^A RCG-10 ^A RCT-03 ^A RCT-06 ^A RCT-10 ^A		50(13.2)	210(3000)	3/8" 3/4" 1-1/4" 3/8" 3/4" 1-1/4"	

RIGHT ANGLE CHECK VALVES	Graphic Symbol	Q max. l/min (USgpm)	P max. bar(Psi)	Max. Port diam. (in)	Ref. Page
CRG-03 ^A CRG-06 ^A CRG-10 ^A		40(10.8)	250/3600	3/8" 3/4" 1-1/4"	
PILOT CONTROLLED CHECK VALVES DECOMPRESSION TYPE	Graphic Symbol	Q max. l/min (USgpm)	P max. bar(Psi)	Max. Port diam. (in)	Ref. Page
CRD-03 ^A CRD-06 ^A CRD-10 ^A CRD-03 ^B CRD-06 ^B CRD-10 ^B		40(10.8)	250/3600	3/8" 3/4" 1-1/4" 3/8" 3/4" 1-1/4"	
























MANUALLY OPERATED DIRECTIONAL VALVES	Graphic Symbol	Q max. l/min (USgpm)	P max. bar(Psi)	Max. Port diam. (in)	Ref. Page
2040 ^V 2070 ^V 2040 ^W 2070 ^W 2040 ^X 2070 ^X		100(3.42)	250/3600	1/2" 3/4" 1-1/4" 1-1/4" 1-1/4" 1-1/4"	
CAM OPERATED DIRECTIONAL VALVES	Graphic Symbol	Q max. l/min (USgpm)	P max. bar(Psi)	Max. Port diam. (in)	Ref. Page
2040 ^Y 2070 ^Y		100(3.42)	250/3600	1/2" 3/4"	

PRE-FILL VALVES	Graphic Symbol	Q max. l/min (USgpm)	P max. bar(Psi)	Max. Port diam. (in)	Ref. Page
2040 ^Z 2070 ^Z 2040 ^{AA} 2070 ^{AA} 2040 ^{AB} 2070 ^{AB} 2040 ^{AC} 2070 ^{AC} 2040 ^{AD} 2070 ^{AD} 2040 ^{AE} 2070 ^{AE}		100(3.42)	210(3000)	1/2" 3/8" 3/4" 3/4" 1-1/4" 1-1/4" 1-1/4" 1-1/4" 1-1/4" 1-1/4"	

SOLENOID OPERATED FLOW CONTROL VALVE	Graphic Symbol	Q max. l/min (USgpm)	P max. bar(Psi)	Max. Port diam. (in)	Ref. Page
FV-03 ^A FV-06 ^A FV-10 ^A FV-03 ^B FV-06 ^B FV-10 ^B		100(3.42)	250/3600	1/2" 3/4" 1-1/4" 1/2" 3/4" 1-1/4"	

■ Ordering Code

BS - G - 03 - H - 2B3B - N - D2 - 20

Series No	Type of Mounting	Valve Size	Pressure Range	Vent Type	Type of Ele. Conduit	Coil Voltage	Design No
DG/DT 	G Subplate Mounting 	03: (3/8") ISO 6264-AS-06-2-A	B 7~70 bar 	2B2B 	N: DIN Type 	AC A1: AC110 A2: AC220	20 (G) DIN 912 bolts 
BG/BT 	T Threaded Connection 	06: (3/4") ISO 6264-AS-06-2-A	C 35~140 bar 	2B3B 	None:Box Type 	DC D1: DC12 D2: DC24	2090 (G) UNC bolts (North America) 
SBG/BRG 	HBG/HBT 	10: (1-1/4") ISO 6264-AT-10-2-A	H 70~250 bar 	2B2 	Y:Lead-Wire 	RAC R1: RAC110 R2: RAC220	20 (T) PT Connection 
DBG/DBT 	BSG/BST 	BSG-2P/SBSG 		3C3 			2090 (T) NPT Connection (North America) 

MODEL

DESCRIPTION

- DG-01 Remote Control Relief Valves(Sub-Plate Type)
- DT-01 Remote Control Relief Valves(Threaded Type)
- DG-02 Direct Type Relief Valves(Sub-Plate Type)
- DT-02 Direct Type Relief Valves(Threaded Type)
- BG-03-06-10 Pilot Operated Relief Valves(Sub-Plate Type)
- BT-03-06-10 Pilot Operated Relief Valves(Threaded Type)
- DBG-03 Pilot Operated Relief Valves(Sub-Plate Type)
- DBT-03 Pilot Operated Relief Valves(Threaded Type)
- HBG-03-06 Pilot Operated Relief Valves(Sub-Plate Type) High Pressure-315 bar
- HBT-06 Pilot Operated Relief Valves(Threaded Type) High Pressure-315 bar
- SBG-03-06-10 Low Noise Type Pilot Operated Relief Valves(Sub-Plate Type)
- BRG-03-06-10 Back Valve(Sub-Plate Type)
- BSG-03-06-10 Solenoid Controlled Relief Valves(Sub-Plate Type)
- BST-03-06-10 Solenoid Controlled Relief Valves(Threaded Type)
- BSG-03-06-10-2P Solenoid Controlled Relief Valves-Dual Pressure (Sub-Plate Type)
- SBSG-03-06-10 Low Noise Solenoid Controlled Relief Valves(Sub-Plate Type)



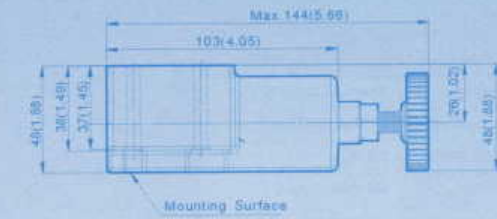
DIMENSIONS

MILLIMETERS(INCHES)

DG-01 Remote Control Relief Valves(Sub-Plate Type)

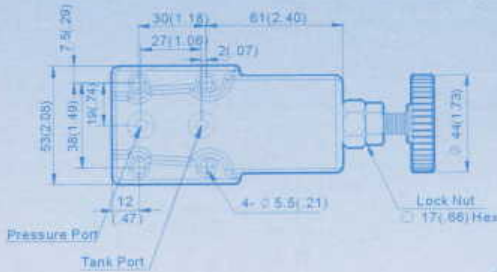


C

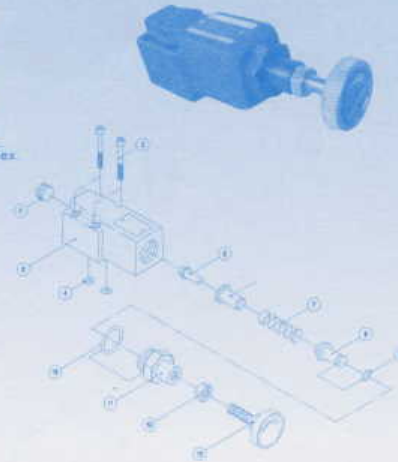


Valve Specifications & Attachment

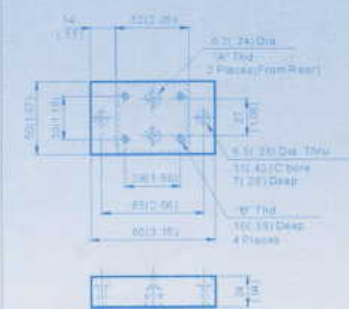
Flow Rating	2 lpm (0.52 gpm)
Max. Pressure	250 bar (3600 psi)
Weight(kg/lbs.)	1.4 (3.1)
CODE 20	M5 X45LgX4pcs
CODE 2090	10-24UNCX1-3/4"LgX4pcs
Mounting Surface O-Ring	P9 x 2 pc



INC.

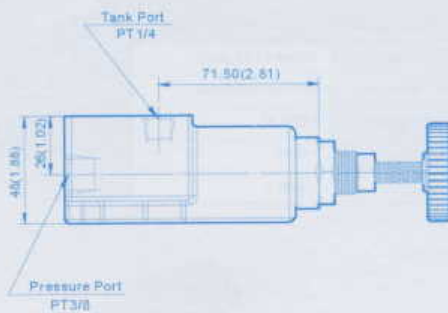


DGM-01



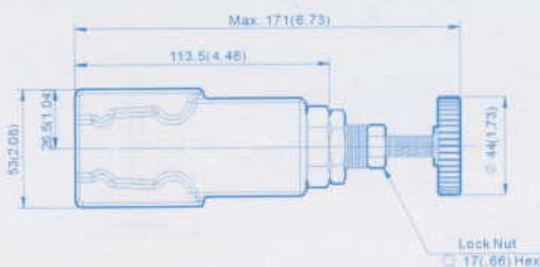
Model	ATnd	STnd
DGM-01-20	PT1/4	M5
DGM-01-2090	NPT1/4	Ns.10-24 UNC

DT-01 Remote Control Relief Valves(Threaded Type)



Valve Specifications & Attachment

Flow Rating	2 lpm (0.52 gpm)
Max. Pressure	250 bar (3600 psi)
Weight(kg/lbs.)	1.6 (3.5)
CODE 20	1/4 PT
CODE 2090	1/4 NPT



INC.



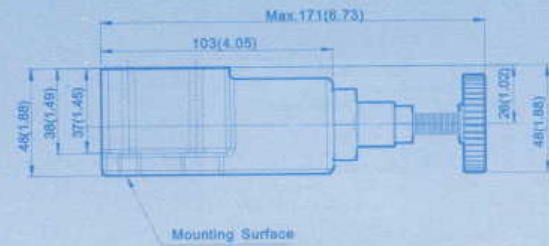
DG-02 Direct Type Relief Valves(Sub-Plate Type)



SYMBOL

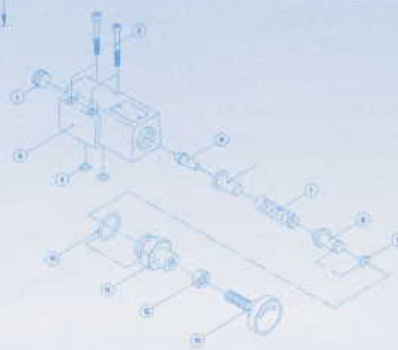
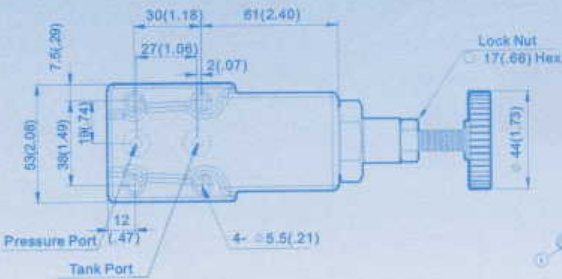


3D View

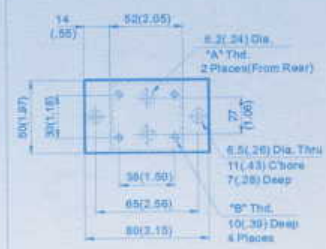


■ Valve Specifications & Attachment

Flow rating	16 lpm (4.22 gpm)
Max. Pressure	250 bar (3600 psi)
Weight kg(lbs.)	1.5 (3.3)
CODE:20	M6 X45LgX4pcs
CODE:2090	10-24UNCX1-3/4"LgX4pcs
Mounting Surface O-Ring	P9 x 2 pc



DGM-02



Model	A Thd.	B Thd.
DGM-02-20	PT1/4	M5
DGM-02-2090	NPT1/4	No.10-24 UMC



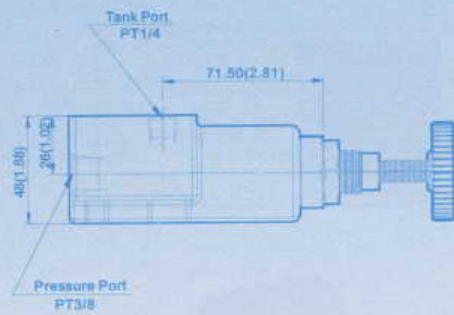
DT-02 Direct Type Relief Valves(Threaded Type)



SYMBOL

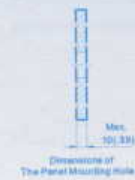
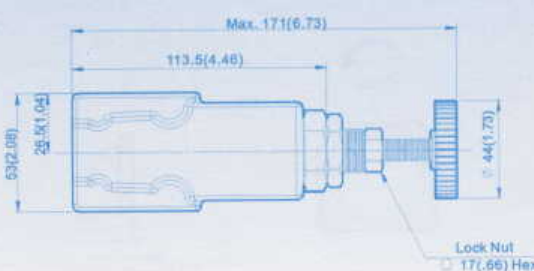


3D View



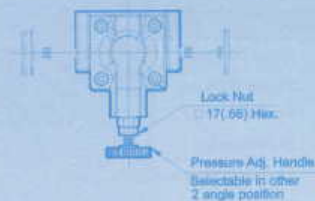
■ Valve Specifications & Attachment

Flow rating	16 lpm (4.22 gpm)
Max. Pressure	250 bar (3600 psi)
Weight kg(lbs.)	1.5 (3.3)
CODE:20	1/4 PT
CODE:2090	1/4 NPT



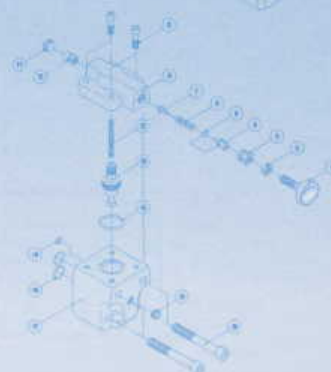
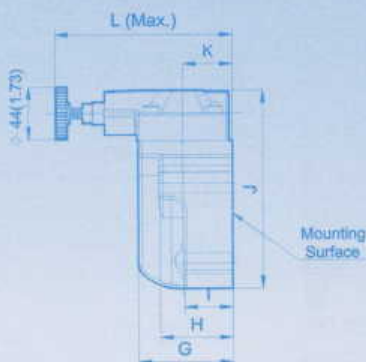
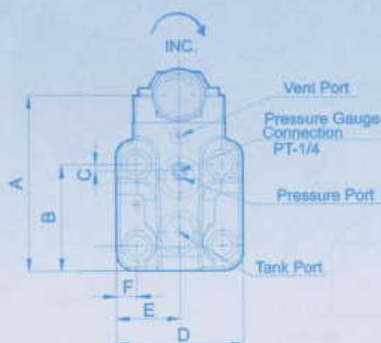


BG-03-06-10 Pilot Operated Relief Valves(Sub-Plate Type)



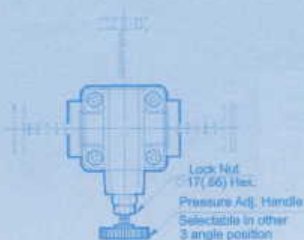
Valve Specifications & Attachment

Model	BG-03	BG-06	BG-10
Flow rating	100 lpm (26.4 gpm)	200 lpm (52.8 gpm)	400 lpm (106 gpm)
Max. Pressure	250 bar (3600 psi)	250 bar (3600 psi)	250 bar (3600 psi)
Weight kg(lbs.)	4.7 (10.4)	5.6 (12.3)	8.7 (19.2)
CODE-20	M12 078.40Dpa M12 106.40Dpa	M18 088.40Dpa M18 106.40Dpa	M20 078.40Dpa M20 106.40Dpa
CODE-2090	10-10ANCO-10.40Dpa 10-10ANCO-10.40Dpa	18-10ANCO-10.40Dpa 18-10ANCO-10.40Dpa	24-10ANCO-10.40Dpa 24-10ANCO-10.40Dpa
Surface O-Ring	P18K1pc, P20K2pc	P18AX1pc, P20K2pc	P10AX1pc, P30K2pc
ISO Mounting	6294-AT-06-2-A	6294-AS-06-2-A	6294-AT-10-2-A



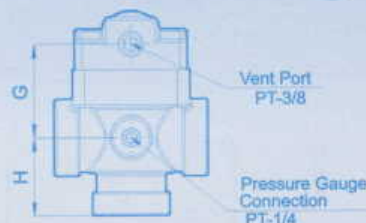
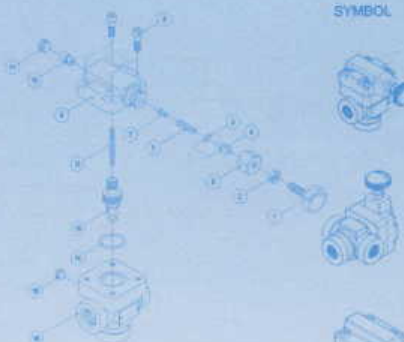
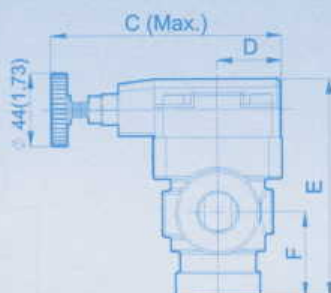
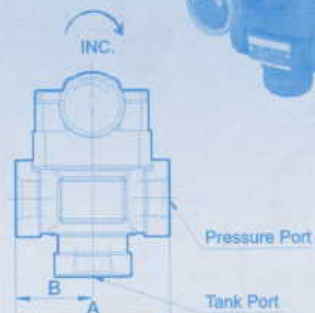
Model	A	B	C	D	E	F	G	H	I	J	K	L
BG-03	117(4.60)	75.5(2.97)	21.5(.84)	83(3.26)	41.5(1.63)	14.5(.57)	78(3.07)	77.5(3.05)	58.5(2.30)	136(5.35)	41(1.61)	148(5.74)
BG-06	145(5.70)	87.5(3.44)	5.5(.21)	104(4.09)	52(2.04)	17(.66)	78(3.07)	60(2.36)	40(1.57)	164(6.45)	41(1.61)	148(5.74)
BG-10	175(6.88)	106(4.17)	8(.31)	125(4.92)	62.5(2.46)	21.2(.83)	90(3.54)	69.5(2.73)	49.5(1.94)	195(7.67)	46(1.81)	155(6.10)

BT-03-06-10 Pilot Operated Relief Valves(Threaded Type)



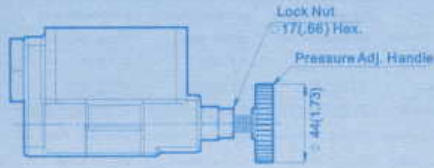
Valve Specifications & Attachment

Model	BT-03	BT-06	BT-10
Flow rating	100 lpm (26.4 gpm)	200 lpm (52.8 gpm)	400 lpm (106 gpm)
Max. Pressure	250 bar (3600 psi)	250 bar (3600 psi)	250 bar (3600 psi)
Weight kg(lbs.)	5 (11.0)	6 (11.0)	8.5 (18.7)
CODE-20	3/8 PT	3/4 PT	1 1/8 PT
CODE-2090	3/8 NPT	3/4 NPT	1 1/8 NPT



Model	A	B	C	D	E	F	G	H
BT-03	77(3.03)	38.5(1.51)	132(5.19)	31.5(1.24)	123(4.84)	42(1.65)	65(2.55)	42(1.65)
BT-06	102(4.01)	51(2.00)	140(5.51)	39(1.53)	132(5.19)	52(2.04)	62(2.44)	52(2.04)
BT-10	140(5.51)	70(2.75)	152(5.98)	48(1.88)	191(7.51)	84(3.30)	86(3.38)	82(3.22)

DBG-03 Pilot Operated Relief Valves(Sub-Plate Type)

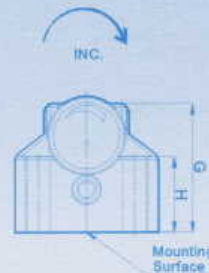
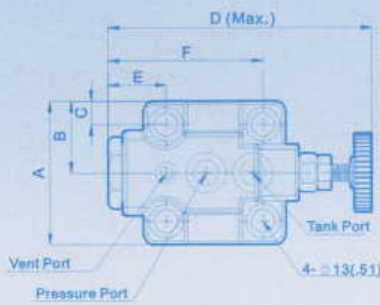


■ Valve Specifications & Attachment

Model	DBG-03-20	DBG-03-30
Flow Rating	40 lpm (10.5 gpm)	40 lpm (10.5 gpm)
Max. Pressure	250 bar (3600 psi)	250 bar (3600 psi)
Weight kg(lbs.)	3 (6.6)	3.5 (7.7)
CODE:20	M10X55Lgx4pc	M10X55Lgx4pc
CODE:2090	3/8-16UNCX2-1/4LgX4pc	3/8-16UNCX2-1/4LgX4pc
Surface O-Ring	P9X1pc, P18X2pc	P9X1pc, P18X2pc

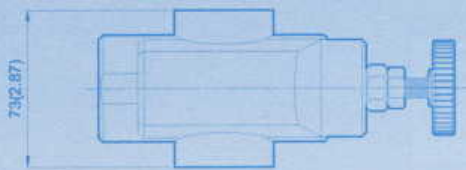


SYMBOL



Model	A	B	C	D	E	F	G	H
DBG-03-20	80(3.14)	40(1.57)	13(.51)	147(5.78)	86(3.38)	32(1.25)	72(2.83)	42(1.65)
DBG-03-30	80(3.14)	40(1.57)	13(.51)	165(6.49)	89(3.50)	35(1.37)	87(3.42)	42(1.65)

DBT-03 Pilot Operated Relief Valves(Threaded Type)

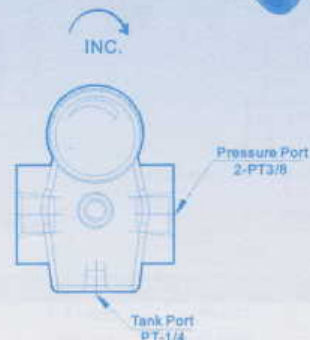
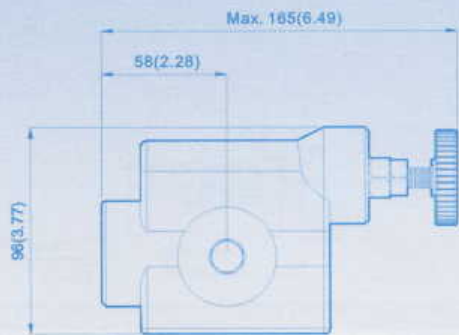


■ Valve Specifications & Attachment

Model	DBT-03
Flow Rating	40 lpm (10.5 gpm)
Max. Pressure	250 bar (3600 psi)
Weight kg(lbs.)	3 (6.6)
CODE:20	3/8" PT
CODE:2090	3/8" NPT



SYMBOL



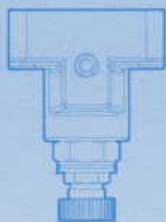


DIMENSIONS

MILLIMETERS(INCHES)

HBG-03-06

Pilot Operated Relief Valves(Sub-Plate Type) High Pressure-315 bar

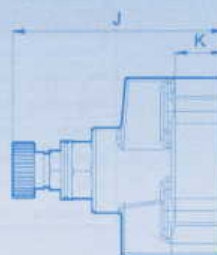
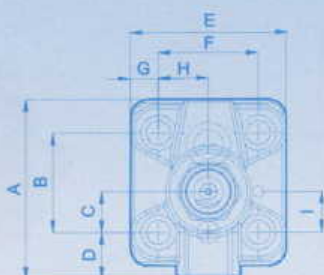


Valve Specifications & Attachment

Model	HBG-03	HBG-06
Flow Rating	100 lpm (26.4 gpm)	200 lpm (52.8 gpm)
Max. Pressure	315 bar (4600 psi)	315 bar (4600 psi)
Weight kg(lbs.)	2.5 (5.5)	3 (6.6)
CODE:20	M12X45LgX4pcs	M16X45LgX4pcs
CODE:2090	1/2-13UNCX1-3/4LgX4pcs	5/8-11UNCX1-3/4LgX4pcs
Surface O-Ring	P9X1pc, P20X2pc	P9X1pc, P29X2pc



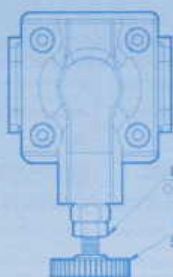
SYMBOL



Model	A	B	C	D	E	F	G	H	I	J	K
HBG-03	97(3.81)	53.8(2.11)	22(.86)	25.1(.99)	84(3.30)	53.8(2.11)	15(.59)	28.9(1.05)	22(.86)	118(4.64)	26(1.02)
HBG-06	115(4.52)	66.5(2.61)	11(.43)	33.5(1.31)	100(3.93)	70(2.75)	15(.59)	35(1.37)	33.3(1.31)	118(4.64)	24(.94)

HBT-06

Pilot Operated Relief Valves(Threaded Type) High Pressure-315 bar

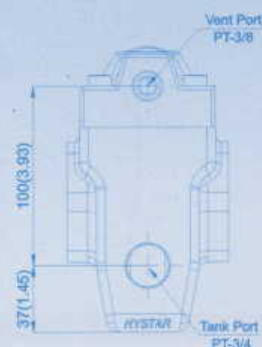
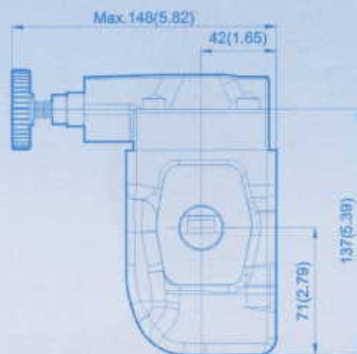
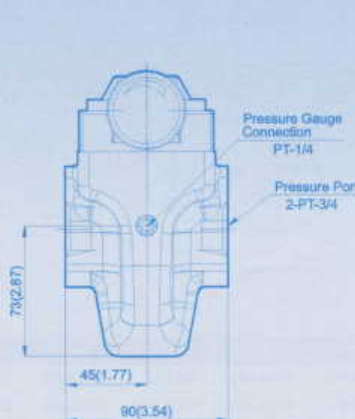


Valve Specifications & Attachment

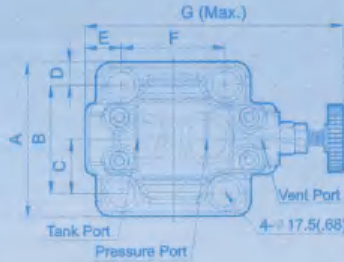
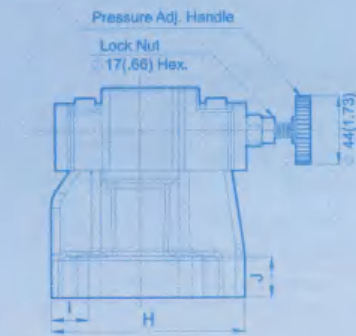
Model	HBT-06
Flow rating	125 lpm (26.4 gpm)
Max. Pressure	315 bar (4600 psi)
Weight kg(lbs.)	5.2 ()
CODE:20	3/4" PT
CODE:2090	3/4" NPT



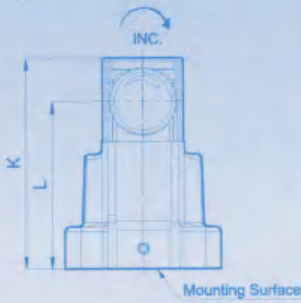
SYMBOL



SBG-03-06-10 Low Noise Type Pilot Operated Relief Valves(Sub-Plate Type)



SYMBOL

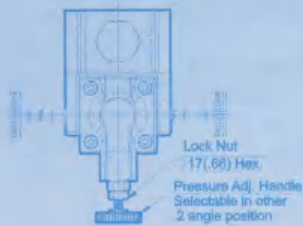


Valve Specifications & Attachment

Model	SBG-03	SBG-06	SBG-10
Flow Rating	100 lpm (26.4 gpm)	200 lpm (52.8 gpm)	400 lpm (106 gpm)
Max. Pressure	250 bar (3600 psi)	250 bar (3600 psi)	250 bar (3600 psi)
Weight kg(lbs.)	5 (11.0)	6.2 (13.6)	9.5 (20.9)
CODE:20	M12X40LgX4pcs	M16X50LgX4pcs	M20X60LgX4pcs
CODE:2090	1/2-13UNCX1-1/2LgX4pcs	5/8-11UNCX3LgX4pcs	3/4-10UNCX3-1/4LgX4pcs
Surface O-Ring	P9X1pc, P20X2pc	P10AX1pc, P28X2pc	P10AX1pc, P36X2pc
ISO Mounting	6264-AR-06-2-A	6264-AS-06-2-A	6264-AT-10-2-A

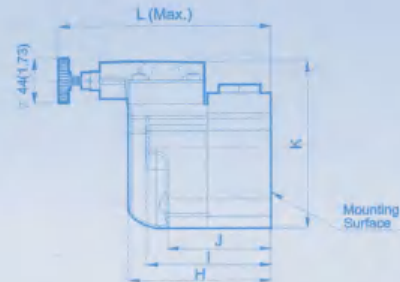
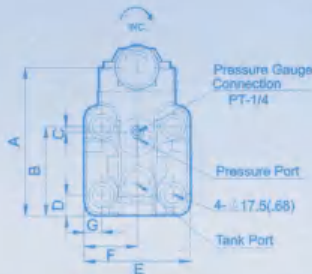
Model	A	B	C	D	E	F	G	H	I	J	K	L
SBG-03	78(3.07)	54(2.12)	27(1.06)	12(.47)	34.5(1.35)	54(2.12)	165(6.49)	107(4.21)	26.5(1.04)	23(.90)	134(5.27)	108(4.25)
SBG-06	100(3.93)	70(2.75)	35(1.37)	15(.59)	23.5(.92)	67(2.63)	167(6.57)	124(4.88)	23.5(.92)	26(1.02)	136(5.35)	108(4.25)
SBG-10	127(5.00)	82.6(3.25)	41.3(1.62)	22.2(.87)	20.5(.80)	89(3.50)	185(7.28)	155(6.10)	20.5(.80)	36(1.41)	145(5.70)	120(4.72)

BRG-03-06-10 Back Valve(Sub-Plate Type)



Valve Specifications & Attachment

Model	BRG-03	BRG-06	BRG-10
Flow Rating	40 lpm (10.5 gpm)	100 lpm (26.4 gpm)	200 lpm (52.8 gpm)
Max. Pressure	250 bar (3600 psi)	250 bar (3600 psi)	250 bar (3600 psi)
Weight kg(lbs.)	7.5 (16.5)	11 (24.2)	19 (41.8)
CODE:20	M12 X110LgX2pcs M12 X130LgX2pcs	M16 X130LgX2pcs M16 X140LgX2pcs	M20 X140LgX2pcs M20 X160LgX2pcs
CODE:2090	1/2-13UNCX4-1/2LgX2pcs 1/2-13UNCX5LgX2pcs	5/8-11UNCX4-3/4LgX2pcs 5/8-11UNCX5-3/4LgX2pcs	3/4-10UNCX5-3/4LgX2pcs 3/4-10UNCX6-1/2LgX2pcs
Surface O-Ring	P9X1pc, P20X2pc	P10AX1pc, P29X2pc	P10AX1pc, P36X2pc
ISO Mounting	6264-AR-06-2-A	6264-AS-06-2-A	6264-AT-10-2-A

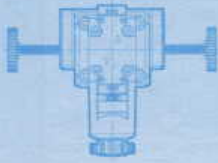


SYMBOL

Model	A	B	C	D	E	F	G	H	I	J	K	L
BRG-03	122(4.80)	80.5(3.16)	21.5(.84)	26.6(1.04)	84(3.30)	42(1.65)	15.1(.59)	118(4.64)	118(4.64)	99(3.89)	141(5.55)	187(7.36)
BRG-06	145(5.70)	87.5(3.44)	5.5(.21)	20.5(.80)	104(4.09)	52(2.04)	17(.66)	140(5.51)	122(4.80)	102(4.01)	164(6.45)	209(8.22)
BRG-10	181(7.12)	112.5(4.42)	8(.31)	23.5(.92)	125(4.92)	62.5(2.46)	21.2(.83)	156(6.14)	143(5.62)	123(4.84)	202(7.95)	228(8.97)



BSG-03-06-10 Solenoid Controlled Relief Valves(Sub-Plate Type)

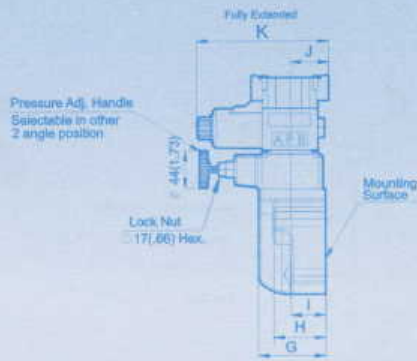


Valve Specifications & Attachment

Model	BSG-03	BSG-06	BSG-10
Flow Rating	100 lpm (26.4 gpm)	200 lpm (52.8 gpm)	400 lpm (106 gpm)
Max. Pressure	250 bar (3600 psi)	250 bar (3600 psi)	250 bar (3600 psi)
Weight (kg/lbs.)	7.1 (15.8)	8.0 (17.6)	11.3 (24.8)
CODE-20	M12 X70g/02pc M12 X60g/02pc	M18 X60g/02pc M18 X50g/02pc	M20 X70g/02pc M20 X60g/02pc
CODE-2090	32-10NDC2-3/8g/02pc 32-10NDC2-1/2g/02pc	32-11NDC2-1/2g/02pc 32-10NDC2-3/8g/02pc	32-10NDC2-3/8g/02pc 32-10NDC2-1/2g/02pc
Surface O-Ring	P3K1pc, P20K2pc	P10AK1pc, P25K2pc	P10AK1pc, P30K2pc
ISO Mounting	6264-AR-06-2-A	6264-AS-06-2-A	6264-KX-10-2-A



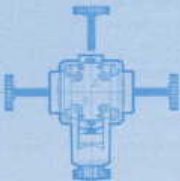
SYMBOL



■ Dimensions for models with Din connector, reference page 14 for details.

Model	A	B	C	D	E	F	G	H	I	J	K	L
BSG-03	117(4.60)	75.5(2.97)	21.5(.84)	83(3.26)	41.5(1.63)	14.5(.57)	78(3.07)	77.5(3.05)	58.5(2.30)	45(1.77)	153(6.02)	226(8.89)
BSG-06	145(5.70)	87.5(3.44)	5.5(.21)	104(4.09)	52(2.04)	17(.66)	78(3.07)	60(2.36)	40(1.57)	45(1.77)	153(6.02)	255(10.0)
BSG-10	175(6.88)	106(4.17)	8(.31)	125(4.92)	62.5(2.46)	21.2(.83)	90(3.54)	69.5(2.73)	49.5(1.94)	50(1.96)	153(6.02)	285(11.2)

BST-03-06-10 Solenoid Controlled Relief Valves(Threaded Type)



Valve Specifications & Attachment

Model	BST-03	BST-06	BST-10
Flow Rating	100 lpm (26.4 gpm)	200 lpm (52.8 gpm)	400 lpm (106 gpm)
Max. Pressure	250 bar (3600 psi)	250 bar (3600 psi)	250 bar (3600 psi)
Weight (kg/lbs.)	7.4 (16.3)	7.4 (16.3)	11.1 (24.5)
CODE-20	3/8 PT	3/4 PT	1 1/4 PT
CODE-2090	3/8 NPT	3/4 NPT	1 1/4 NPT

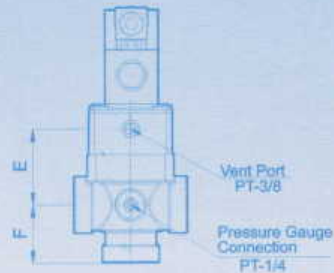
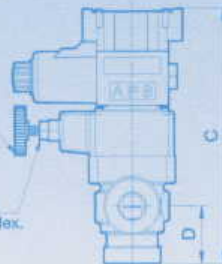


SYMBOL



Pressure Adj. Handle
Selectable in other
3 angle position

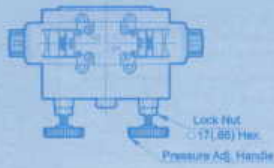
Lock Nut
17(.66) Hex.



■ Dimensions for models with Din connector, reference page 14 for details.

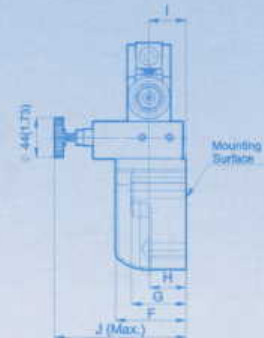
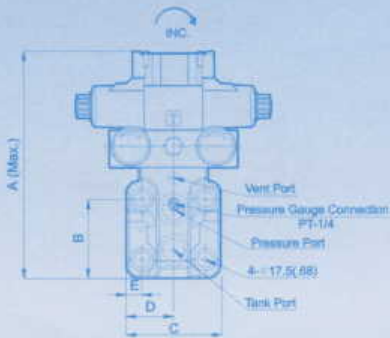
Model	A	B	C	D	E	F
BST-03	102(4.01)	51(2.00)	230(9.05)	52(2.04)	68(2.67)	52(2.04)
BST-06	120(4.72)	51(2.00)	230(9.05)	52(2.04)	68(2.67)	52(2.04)
BST-10	140(5.51)	70(2.75)	284(11.1)	64(3.30)	86(3.38)	82(3.22)

BSG-03-06-10-2P Solenoid Controlled Relief Valves-Dual Pressure (Sub-Plate Type)



Valve Specifications & Attachment

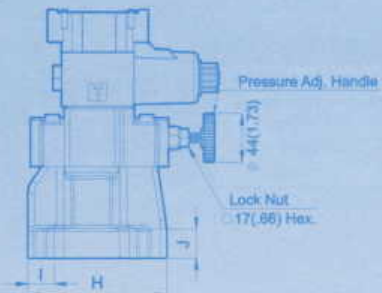
Model	BSG-03	BSG-06	BSG-10
Flow Rating	100 lpm (26.4 gpm)	200 lpm (52.8 gpm)	400 lpm (106 gpm)
Max. Pressure	250 bar (3600 psi)	250 bar (3600 psi)	250 bar (3600 psi)
Weight kg(lb.)	7.1 (15.8)	8.0 (17.6)	11.3 (24.9)
CODE-20	M12 1/20 g2pc M12 1/16 g2pc	M18 1/20 g2pc M18 1/16 g2pc	M20 1/16 g2pc M20 1/8 g2pc
CODE-2000	13-15UNC2-3/4 g2pc 13-15UNC3-3/4 g2pc	3/8-11UNC2-1/4 g2pc 13-15UNC3-1/4 g2pc	3/8-10UNC2-3/4 g2pc 3/4-10UNC3-1/2 g2pc
Surface O-Ring	P50X1pc, P200X2pc	P10AX1pc, P20X2pc	P10AX1pc, P38X2pc
ISO Mounting	6264-AR-06-2-A	6264-AS-08-2-A	6264-AT-10-2-A



■ Dimensions for models with Din connector, reference page 14 for details.

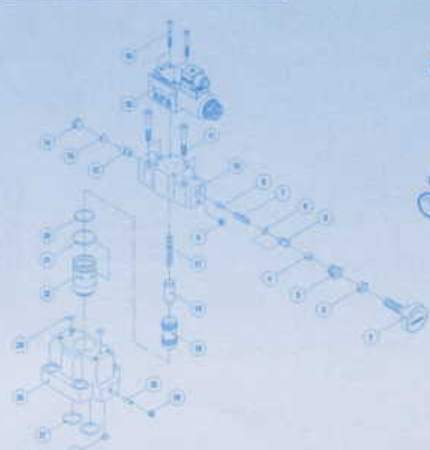
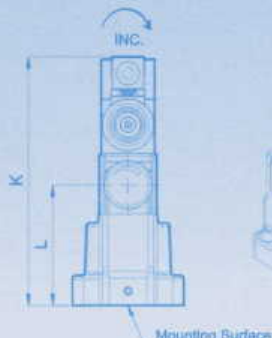
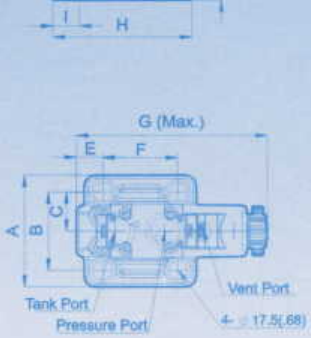
Model	A	B	C	D	E	F	G	H	I	J
BSG-03-2P	224(8.81)	75.5(2.97)	83(3.26)	41.5(1.63)	14.5(.57)	70(2.75)	77.5(3.05)	40(1.57)	41(1.61)	146(5.74)
BSG-06-2P	251.5(9.90)	87.5(3.44)	104(4.09)	52(2.04)	17(.66)	78(3.07)	60(2.36)	40(1.57)	41(1.61)	146(5.74)
BSG-10-2P	299.5(11.3)	108(4.17)	125(4.92)	62.5(2.46)	21.2(.83)	83(3.26)	69.5(2.73)	49.5(1.94)	46(1.81)	280(11.0)

SBSG-03-06-10 Low Noise Type Solenoid Controlled Relief Valves(Sub-Plate Type)



Valve Specifications & Attachment

Model	SBSG-03	SBSG-06	SBSG-10
Flow Rating	100 lpm (26.4 gpm)	200 lpm (52.8 gpm)	400 lpm (106 gpm)
Max. Pressure	250 bar (3600 psi)	250 bar (3600 psi)	250 bar (3600 psi)
Weight kg(lb.)	6.3 (13.9)	7.2 (15.8)	12.7 (28.0)
CODE-20	M12 1/20 g1pc	M18 1/20 g1pc	M20 1/16 g1pc
CODE-2000	13-15UNC2-3/4 g1pc 13-15UNC3-3/4 g1pc	3/8-11UNC2-1/4 g1pc 13-15UNC3-1/4 g1pc	3/8-10UNC2-3/4 g1pc 3/4-10UNC3-1/2 g1pc
Surface O-Ring	P50X1pc, P200X2pc	P10AX1pc, P200X2pc	P10AX1pc, P38X2pc
ISO Mounting	6264-AR-06-2-A	6264-AS-08-2-A	6264-AT-10-2-A



■ Dimensions for models with Din connector, reference page 14 for details.

Model	A	B	C	D	E	F	G	H	I	J	K
S-BSG-03	78(3.07)	54(2.12)	27(1.06)	12(.47)	34.5(1.35)	54(2.12)	169(6.65)	107(4.21)	26.5(1.04)	23(.90)	222(8.74)
S-BSG-06	100(3.93)	70(2.75)	35(1.37)	15(.59)	23.5(.92)	67(2.63)	171(6.73)	124(4.88)	23.5(.92)	26(1.02)	224(8.81)
S-BSG-10	127(5.00)	82.6(3.25)	41(1.61)	22.2(.87)	20.5(.80)	89(3.50)	190(7.48)	155(6.10)	20.5(.80)	36(1.41)	273(10.7)



Ordering Code

HC - T - 03 - C - 3 - 20



SYMBOL

Series No	Type of Mounting	Valve Size	Pressure Range	Valve Type	Design No
H: H Type Pressure Control Valves HG/HT	G Subplate Mounting 	03: (3/8") ISO 5781-AG-06-2-A	L: 2.5-4.5 bar (35-65 PSI) M: 4.5-9 bar (65-125 PSI) N: 9-18 bar (125-250 PSI)	Type 1: Counterbalance Valve Internal Pilot-Internal Drain	20 (G) DIN 912 bolts
HC: HC Type Pressure Control Valves HCG/HCT	T Threaded Connection 	06: (3/4") ISO 5781-AG-08-2-A	A: 18-35 bar (250-500 PSI) B: 35-70 bar (500-1000 PSI) C: 70-140 bar (1000-2000 PSI) H: 140-210 bar (2000-3000 PSI)	Type 2: Sequence and Check Valve Internal Pilot-External Drain	2090 (G) UNC bolts (North America)
		10: (1-1/4") ISO 5781-AJ-10-2-A		Type 3: Sequence and Check Valve External Pilot-External Drain	20 (T) PT Connection PT
				Type 4: Counterbalance Valve External Pilot-Internal Drain	2090 (T) NPT Connection (North America) NPT

HG



HT



HCG



HCT

MODEL

DESCRIPTION

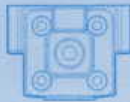
HG-03-06-10	H Type Pressure Control Valves(Sub-Plate Type)
HT-03-06-10	H Type Pressure Control Valves(Threaded Type)
HCG-03-06-10	HC Type Pressure Control Valves(Sub-Plate Type)
HCT-03-06-10	HC Type Pressure Control Valves(Threaded Type)

Valve Size	Type 1	Type 2	Type 3	Type 4
Description	Counterbalance Valve Internal Pilot-Internal Drain	Sequence and Check Valve Internal Pilot-External Drain	Sequence and Check Valve External Pilot-External Drain	Counterbalance Valve External Pilot-Internal Drain
&				
Symbol				

HG-03-06-10 H Type Pressure Control Valves(Sub-Plate Type)

■ Valve Specifications & Attachment

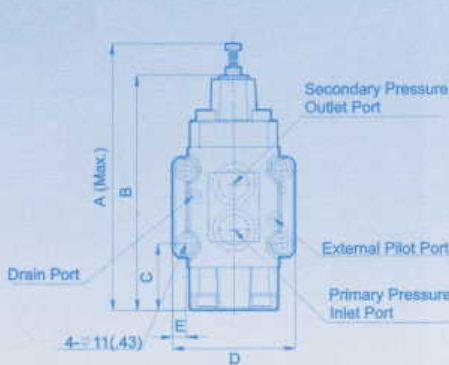
Model	HG-03	HG-06	HG-10
Flow Rating	50 lpm (13.2 gpm)	125 lpm (33 gpm)	250 lpm (66 gpm)
Max. Pressure	210 bar (3000 psi)	210 bar (3000 psi)	210 bar (3000 psi)
Weight (kg/lbs.)	4.0 (8.8)	6.1 (13.4)	11.0 (24.2)
CODE:20	M10 x0.2xLg06mm	M10 x0.2xLg06mm	M10x0.2xLg06mm
CODE:2090	3/8-16UNCx0.5g06mm	3/8-16UNCx0.5g06mm	3/8-16UNCx0.5g06mm
Surface O-Ring	P5X2pc, P16X2pc	P5X2pc, P26X2pc	P5X2pc, P58X2pc
ISO Mounting	5781-AG-06-2-A	5781-AG-06-2-A	5781-AJ-10-2-A



INC.



SYMBOL



Pressure Adj. Screw
Lock Nut
13(.51) Hex.



Model	A	B	C	D	E	F	G	H	I	J
HG-03	192(7.55)	168(6.61)	50.8(1.99)	89(3.50)	11.2(.44)	69(2.71)	42(1.65)	35(1.37)	13(.51)	13(.51)
HG-06	223(8.77)	196(7.71)	60(2.36)	102(4.01)	11.3(.44)	79(3.11)	40(1.57)	39(1.53)	13(.51)	13(.51)
HG-10	266(10.4)	239(9.40)	65(2.55)	119(4.68)	11(.43)	96(3.77)	48.5(1.90)	40(1.57)	5(.19)	17(.66)

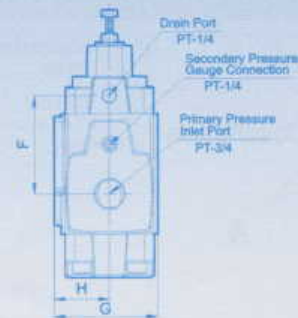
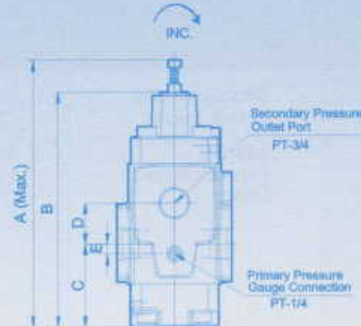
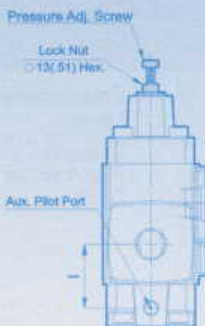
HT-03-06-10 H Type Pressure Control Valves(Threaded Type)

■ Valve Specifications & Attachment

Model	HT-03	HT-06	HT-10
Flow Rating	50 lpm (13.2 gpm)	125 lpm (33 gpm)	250 lpm (66 gpm)
Max. Pressure	210 bar (3000 psi)	210 bar (3000 psi)	210 bar (3000 psi)
Weight (kg/lbs.)	3.7 (8.2)	6.2 (13.7)	12.0 (26.4)
CODE:20	3/8 PT	3/4 PT	1 1/8 PT
CODE:2090	3/8 NPT	3/4 NPT	1 1/8 NPT



SYMBOL



Model	A	B	C	D	E	F	G	H	I	J	K	L
HT-03	192(7.55)	167.5(6.59)	58(2.28)	30(1.18)	0	69(2.71)	74(2.91)	41.5(1.63)	45(1.77)	13(.51)	13(.51)	1/8
HT-06	223(8.77)	196(7.71)	69(2.71)	34(1.33)	8(.31)	82(3.22)	86(3.38)	48(1.81)	53(2.08)	13(.51)	13(.51)	1/4
HT-10	266(10.4)	239(9.40)	87(3.42)	41(1.61)	11(.43)	58(2.28)	110(4.33)	85(2.55)	68(2.67)	5(.19)	17(.66)	1/4



DIMENSIONS

MILLIMETERS(INCHES)

HCG-03-06-10 HC Type Pressure Control Valves(Sub-Plate Type)



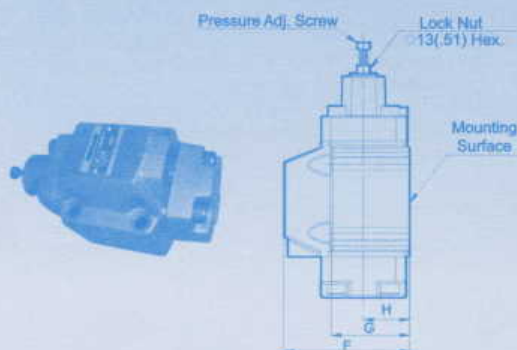
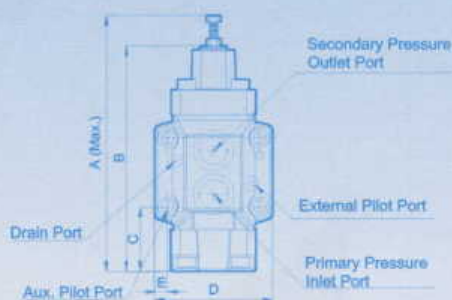
INC.

Valve Specifications & Attachment

Model	HCG-03	HCG-06	HCG-10
Flow Rating	50 lpm (13.2 gpm)	125 lpm (33 gpm)	250 lpm (66 gpm)
Max. Pressure	210 bar (3000 psi)	210 bar (3000 psi)	210 bar (3000 psi)
Weight (kg/lbs.)	4.8 (10.6)	7.4 (16.3)	13.8 (30.4)
CODE 20	M10 1/2kg/1type	M10 1/2kg/1type	M10 20kg/1type
CODE 2090	3/8-16UNF-3/4kg/1type	3/8-16UNF-3/4kg/1type	3/8-16UNF-3/4kg/1type
Surface O-Ring	P30Qpc, P18Qpc	P30Qpc, P28Qpc	P30Qpc, P28Qpc
ISO Mounting	S781-AG-06-2-A	S781-AG-06-2-A	S781-AJ-10-2-A



SYMBOL

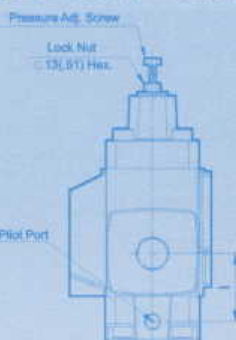


Model	A	B	C	D	E	F	G	H	I	J
HCG-03	192(7.55)	167.5(6.59)	50.6(1.99)	89(3.50)	11.2(.44)	90(3.54)	58(2.28)	35(1.37)	13(.51)	13(.51)
HCG-06	222(8.74)	196(7.71)	60(2.36)	102(4.01)	11.3(.44)	109(4.29)	68(2.67)	40(1.57)	13(.51)	13(.51)
HCG-10	268(10.4)	239(9.40)	65(2.55)	119(4.68)	11.1(.43)	131(5.15)	80(3.14)	48(1.88)	5(.19)	17(.68)

HCT-03-06-10 HC Type Pressure Control Valves(Threaded Type)



INC.

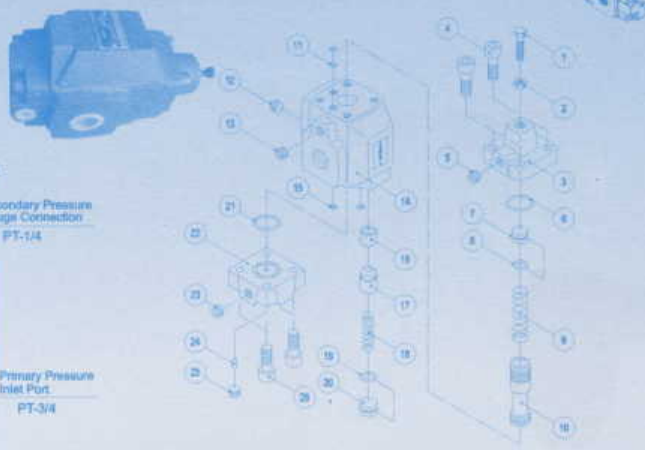
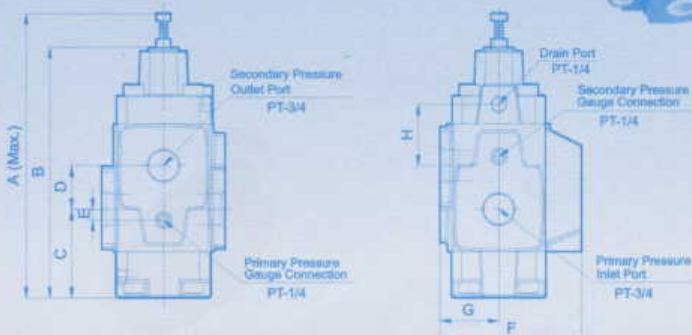


Valve Specifications & Attachment

Model	HCT-03	HCT-06	HCT-10
Flow Rating	50 lpm (13.2 gpm)	125 lpm (33 gpm)	250 lpm (66 gpm)
Max. Pressure	210 bar (3000 psi)	210 bar (3000 psi)	210 bar (3000 psi)
Weight (kg/lbs.)	4.1 (9.0)	7.1 (15.6)	13.8 (30.4)
CODE 20	3/8 PT	3/4 PT	1 1/4 PT
CODE 2090	3/8 NPT	3/4 NPT	1 1/4 NPT












SYMBOL



Model	A	B	C	D	E	F	G	H	I	J	K	L
HCT-03	192(7.55)	168(6.61)	58(2.28)	30(1.18)	0	95(3.74)	41.5(1.63)	39(1.53)	45(1.77)	13(.51)	13(.51)	1/8
HCT-06	223(8.77)	196(7.71)	69.5(2.73)	34(1.33)	8.3(.32)	111(4.37)	46(1.81)	48(1.88)	53.5(2.08)	13(.51)	13(.51)	1/4
HCT-10	268(10.4)	246(9.68)	87(3.42)	40(1.57)	15(.59)	154(6.06)	64(2.51)	58(2.28)	68(2.67)	5(.19)	17(.68)	1/4

■ Ordering Code

RC - **T** - **03** - **B** - **20**

Series No	Type of Mounting	Valve Size	Pressure Range	Design No
R: Pressure Reducing Valves RG/RT	G Subplate Mounting 	03: (3/8") ISO 5781-AG-06-2-A	B: 7-70 bar (100-1000 PSI) 	20 (G) DIN 912 bolts 
RC: Pressure Reducing and Check Valves RCG/RCT	T Threaded Connection 	06: (3/4") ISO 5781-AH-08-2-A	C: 35-140 bar (500-2000 PSI) 	2090 (G) UNC bolts (North America) 
			H: 70-225 bar (1000-3200 PSI) 	20 (T) PT Connection 
				2090 (T) NPT Connection (North America) 



SYMBOL

RG

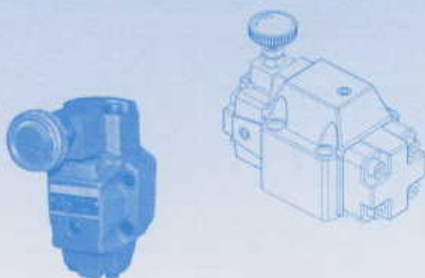


RT

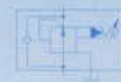
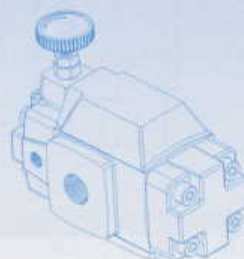


MODEL	DESCRIPTION
RG-03-06	Pressure Reducing Valves(Sub-Plate Type)
RT-03-06	Pressure Reducing Valves(Threaded Type)
RCG-03-06	Pressure Reducing with Check Valves(Sub-Plate Type)
RCT-03-06	Pressure Reducing with Check Valves(Threaded Type)

RCG



RCT



SYMBOL

RCT-06

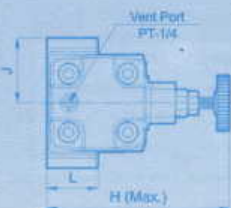




DIMENSIONS

MILLIMETERS(INCHES)

RG-03-06 Pressure Reducing Valves(Sub-Plate Type)

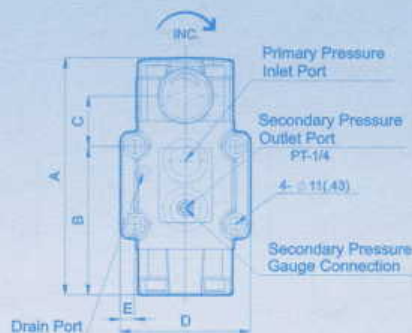
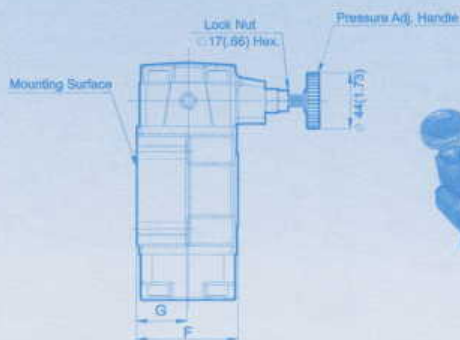


Valve Specifications & Attachment

Model	RG-03	RG-06
Flow Rating	50 lpm (13.2 gpm)	125 lpm (33 gpm)
Max. Pressure	250 bar (3600 psi)	250 bar (3600 psi)
Weight kg(lbs.)	4.5 (9.9)	6.8 (15.0)
CODE:20	M10 X30LgX4pc	M10 X30LgX4pc
CODE:2090	3/8-MUNCX2LgX4pc	3/8-MUNCX2LgX4pc
Surface O-Ring	P9X1pc, P18X2pc	P9X2pc, P28X2pc
ISO Mounting	5781-AQ-06-2-A	5781-AH-08-2-A

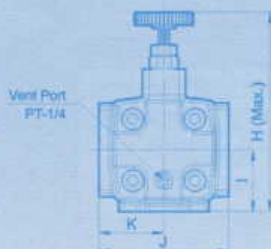


SYMBOL



Model	A	B	C	D	E	F	G	H	I	J
RG-03	159(6.25)	93.5(3.68)	40.5(1.59)	89(3.50)	11.2(.44)	69(2.71)	42(1.65)	145.5(5.72)	43(1.69)	44.5(1.75)
RG-06	186(7.32)	116.5(4.58)	40(1.57)	102(4.01)	11.3(.44)	79(3.11)	39(1.53)	143(5.62)	40(1.57)	51(2.00)

RT-03-06 Pressure Reducing Valves(Threaded Type)

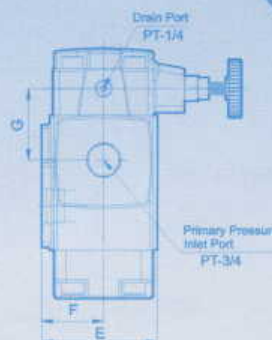
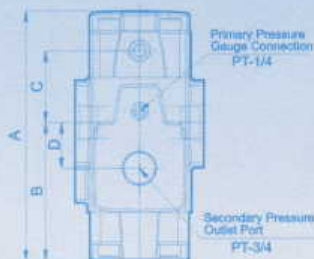
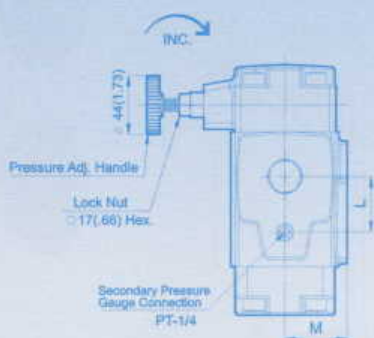


Valve Specifications & Attachment

Model	RT-03	RT-06
Flow Rating	50 lpm (13.2 gpm)	125 lpm (33 gpm)
Max. Pressure	250 bar (3600 psi)	250 bar (3600 psi)
Weight kg(lbs.)	4.3 (9.5)	6.9 (15.2)
CODE:20	3/8" PT	3/4" PT
CODE:2090	3/8" NPT	3/4" NPT



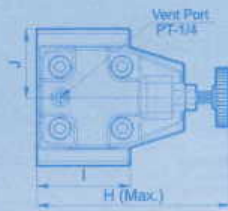
SYMBOL



Model	A	B	C	D	E	F	G	H	I	J	K	L	M
RT-03	159(6.25)	86(3.38)	48(1.88)	30(1.18)	74(2.91)	41.5(1.63)	47(1.85)	151(5.94)	42(1.65)	80(3.14)	40(1.57)	30(1.18)	41.5(1.63)
RT-06	186(7.32)	103(4.05)	53(2.08)	34(1.33)	86(3.38)	46(1.81)	53(2.08)	148.5(5.84)	46(1.81)	96(3.77)	48(1.88)	42(1.65)	46(1.81)



RCG-03-06 Pressure Reducing with Check Valves(Sub-Plate Type)

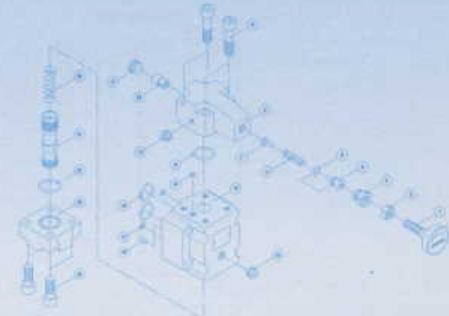
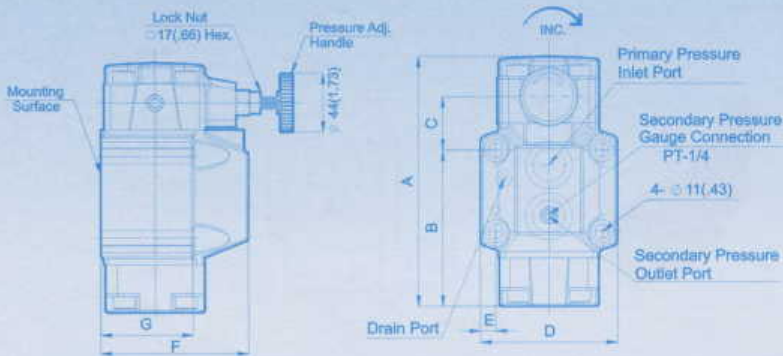


■ Valve Specifications & Attachment

Model	RCG-03	RCG-06
Flow Rating	50 lpm (13.2 gpm)	125 lpm (33 gpm)
Max. Pressure	250 bar (3600 psi)	250 bar (3600 psi)
Weight kg(lbs.)	5.4 (11.9)	8.1 (17.9)
CODE:20	M10 X70Lg/4pcs	M10 X85Lg/4pcs
CODE:2090	3/8-16UNCX2-3/16Lg/4pcs	3/8-16UNCX3-1/16Lg/4pcs
Surface O-Ring	P9X1pc, P16X2pc	P9X2pc, P20X2pc
ISO Mounting	5781-AG-06-2-A	5781-AH-08-2-A

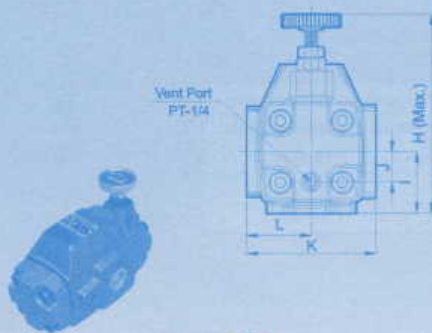


SYMBOL



Model	A	B	C	D	E	F	G	H	I	J
RCG-03	158.5(6.24)	93.5(3.68)	40.5(1.59)	89(3.50)	11.2(.44)	90(3.54)	58(2.28)	144.5(5.68)	59(2.32)	44.5(1.75)
RCG-06	186(7.32)	116.5(4.58)	40(1.57)	102(4.01)	11.3(.44)	104(4.09)	68(2.67)	142.5(5.61)	69(2.71)	51(2.00)

RCT-03-06 Pressure Reducing with Check Valves(Threaded Type)

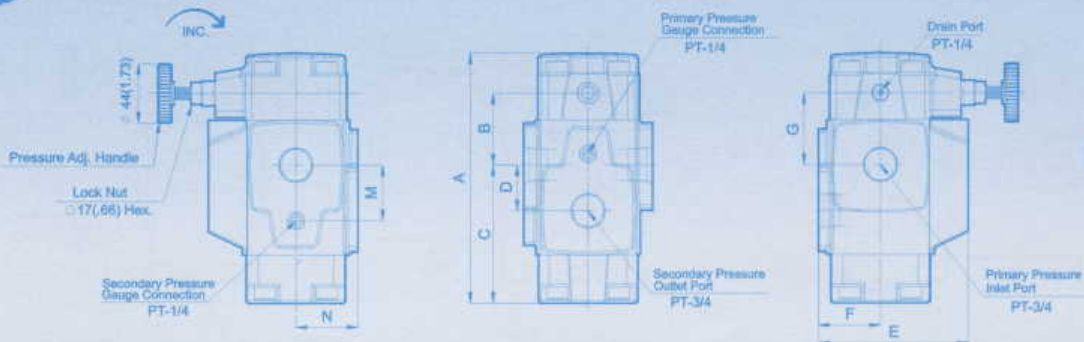


■ Valve Specifications & Attachment

Model	RCT-03	RCT-06
Flow Rating	50 lpm (13.2 gpm)	125 lpm (33 gpm)
Max. Pressure	250 bar (3600 psi)	250 bar (3600 psi)
Weight kg(lbs.)	4.8 (10.6)	7.8 (17.2)
CODE:20	3/8" PT	3/4" PT
CODE:2090	3/8" NPT	3/4" NPT



SYMBOL



Model	A	B	C	D	E	F	G	H	I	J	K	L	M	N
RCT-03	158.5(6.24)	48(1.88)	86(3.38)	30(1.18)	95(3.74)	41.5(1.63)	47(1.85)	151(5.94)	41.5(1.63)	15.5(.61)	80(3.14)	40(1.57)	30(1.18)	41.5(1.63)
RCT-06	186(7.32)	53(2.08)	103(4.05)	34(1.33)	111(4.37)	48(1.81)	53(2.08)	148.5(5.84)	46(1.81)	22.5(.88)	96(3.77)	48(1.88)	41.5(1.63)	46(1.81)



DIMENSIONS

MILLIMETERS(INCHES)

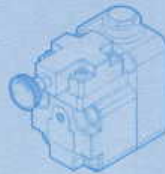
Unloading Relief Valves(Sub-Plate Type) BUCG-06 Series

Ordering Code

BUC - G - 06 - B - 20

Series No	Type of Mounting	Valve Size	Pressure Range	Design No
BUC: Unloading Relief Valve	G: Subplate Mounting	06: (3/4")	B: 25-70 bar (360-1000 PSI)	20 (G) DIN 912 bolts
		10: (1 1/4")	C: 35-140 bar (500-2000 PSI)	2090 (G) UNC bolts (North America)
			H: 70-210 bar (1000-3000 PSI)	

BUCG-06



BUCG-10



SYMBOL

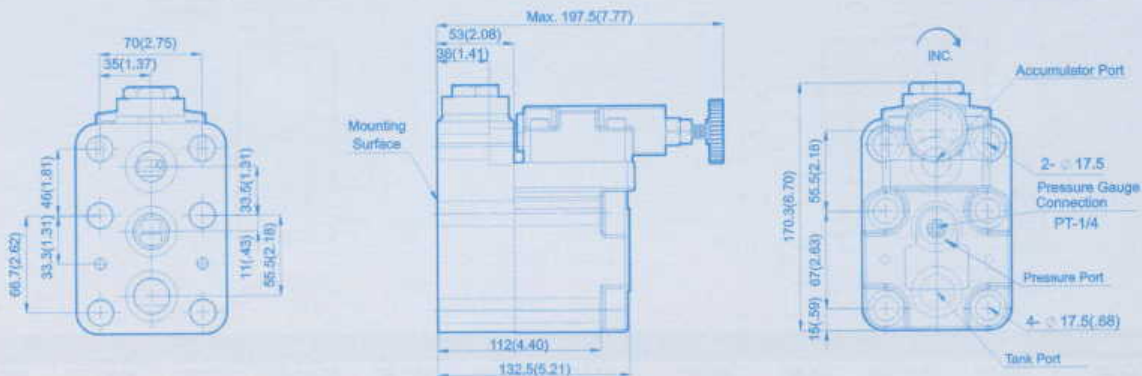
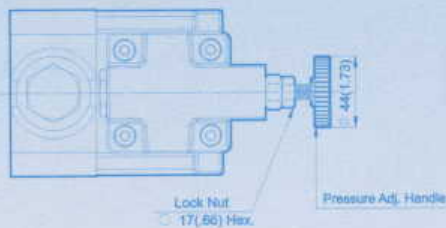


C

BUCG-06 Unloading Relief Valves(Sub-Plate Type)

Valve Specifications & Attachment

Model	BUCG-06
Flow Rating	125 lpm (33 gpm)
Max. Pressure	250 bar (3600 psi)
Weight kg(lbs.)	12 (26.4)
CODE:20	M16 X5Lg/Opc M16 X11Lg/Opc M16 X13Lg/Opc
CODE:2090	S5-11UNCX4-14Lg/Opc S5-11UNCX4-12Lg/Opc S5-11UNCX8Lg/Opc
Surface O-Ring	P9X1pc, P29X2pc



Check Valves (Right Angle)-Subplate Type
CRG Series (Design 20 and 50)

■ Ordering Code

CR - G - 03 - 50 - 20

Series No	Type of Mounting	Valve Size	Pressure Range	Design No
CR: Right Angle Check Valves	G Subplate Mounting	03: (3/8") ISO 5781-AG-06-2-A	04: 0.4 bar (8 PSI)	20 (G) DIN 912 bolts
		06: (3/4") ISO 5781-AH-06-2-A	30: 3.5 bar (50 PSI)	2090 (G) UNC bolts (North America)
		10: (1 1/4") ISO 5781-AJ-10-2-A	50: 5.0 bar (70 PSI)	50 (G) DIN 912 bolts
				5090 (G) UNC bolts (North America)

CRG-06-*-20



CRG-06-*-50

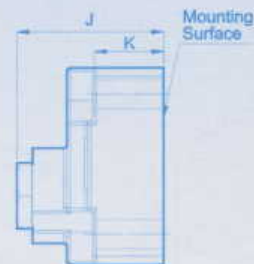
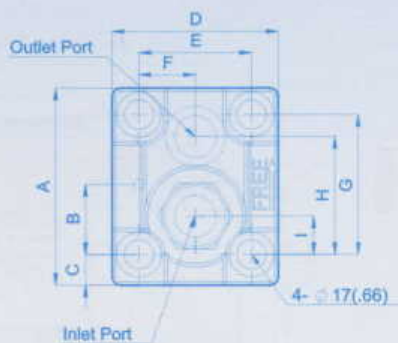
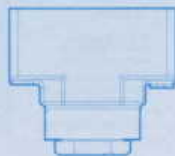


■ Valve Specifications & Attachment

Model	CRG-03	CRG-06	CRG-10
Flow rating	30 lpm (7.9 gpm)	80 lpm (21.1 gpm)	300 lpm (82.9 gpm)
Max. Pressure	250 bar (3600 psi)	250 bar (3600 psi)	250 bar (3600 psi)
Weight kg(lbs.)	3 (4.4)	4 (8.8)	8 (17.6)
CODE:20	M10 10x14type	M10 10x14type	M10 10x14type
CODE:2090	--	--	--
Surface O-Ring	P22A12pc	P29X2pc	P30X2pc
ISO Mounting	--	--	--

CRG-03-06-10

Design No: 20



Model	A	B	C	D	E	F	G	H	I	J	K
CRG-03	80(3.14)	30.1(1.18)	10(.39)	88(2.67)	47.6(1.87)	23.8(.93)	60(2.36)	47.6(1.87)	12.7(.50)	65.5(2.57)	49(1.92)
CRG-06	114(4.48)	40.5(1.59)	17.8(.70)	96(3.77)	65.1(2.56)	32.6(1.28)	80.9(3.18)	68.2(2.68)	22.2(.87)	85(3.34)	40(1.57)
CRG-10	131(5.15)	46(1.81)	19.5(.76)	129(5.07)	92.1(3.62)	46.1(1.81)	92.1(3.62)	71.4(2.81)	20.1(.79)	100(3.93)	51(2.00)